

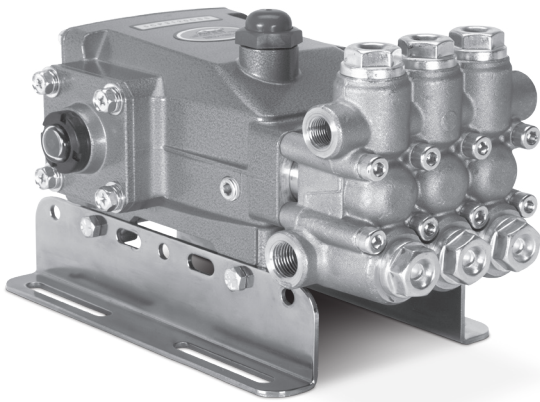
DATA SHEET

5CP PLUNGER PUMPS



Brass Models: **5CP3105CSS, 5CP3110CSS, 5CP3160CSS**

Brass Gearbox Model: **5CP3160CSSG1**



Model 5CP3110CSS Shown
(Rails Sold Separately)

FEATURES

- Industrial triplex design offers reliability and versatility.
- Belt-driven option provides precision flow setting.
- Compact direct-drive mount to motor uses bell housing and flexible coupler assembly. NEMA or IEC electric motor or SAE hydraulic options available.
- Gearbox model available with 1" and 1 1/8" hollow shaft to fit a wide variety of engines.
- Press-in seal cases and interchangeable valve assemblies for easy servicing.
- Standard NBR seals with alternative options for temperature and chemical compatibility.

COMMON SPECIFICATIONS

	U.S.	Metric
Pump RPM*	1750 rpm	1750 rpm
Inlet Pressure Range, Standard	-2.5 – 60 psi	-2 – 4.1 bar
Max. Liquid Temp. (NBR)	160° F	71° C
Alternative seals available for high temp up to 190° F		
Bore	0.630"	16 mm
Crankcase Capacity	17 oz.	0.50 l
Inlet Ports (2)	1/2" NPT(F)	1/2" NPT (F)
Discharge Ports (2)	3/8" NPT (F)	3/8" NPT (F)
Shaft Diameter	0.787"	20 mm
Weight	19.9 lbs	9 kg
Dimensions	10.90 x 8.97 x 5.75"	277 x 226.5 x 146 mm

SPECIFICATIONS	U.S. Measure	Metric Measure
5CP3105CSS		
Flow	2.5 gpm	9.5 lpm
Pressure Range	100 – 3500 psi	6.9 – 241 bar
Stroke	0.393"	10 mm
5CP3110CSS		
Flow	3.6 gpm	13.6 lpm
Pressure Range	100 – 3500 psi	6.9 – 241 bar
Stroke	0.557"	14 mm
5CP3160CSS		
Flow	4.3 gpm	16.3 lpm
Pressure Range	100 – 3500 psi	6.9 – 241 bar
Stroke	0.650"	16.5 mm
5CP3160CSSG1		
Flow	4.0 gpm	15.0 lpm
Pressure Range	100 – 3500 psi	6.9 – 241 bar
Engine RPM	3320 rpm	3320 rpm
Stroke	0.650"	16.5 mm
Weight	26.5 lbs.	12 kg
Dimensions	11.39 x 10.62 x 6.42"	289.5 x 270 x 163 mm

*Pump minimum is 100 RPM.

ALTERNATIVE SEAL CONFIGURATION

MATERIAL	SUFFIX CODE	MAXIMUM TEMPERATURE
NBR	—	160° F (71° C)
FPM	.0110	180° F (82° C)
EPDM	.0220	160° F (71° C)
HT	.3000	180° F (82° C)
STHT	.3400	190° F (88° C)

See Reference Document 99TCH002 for inlet conditions and RPM at high temperature.

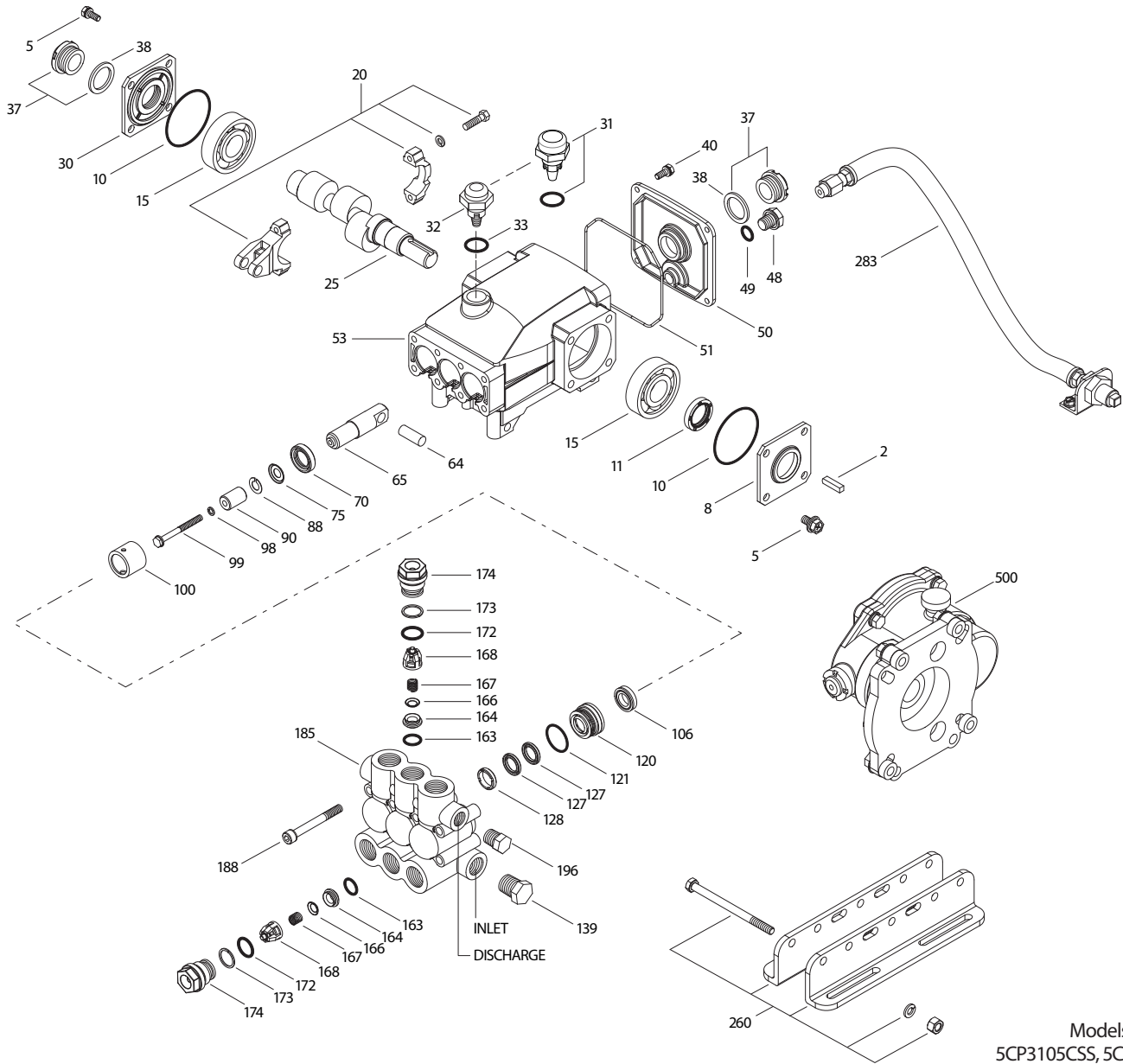
DETERMINING THE PUMP R.P.M.	Rated gpm	=	“Desired” gpm
	Rated rpm	=	“Desired” rpm
DETERMINING THE REQUIRED H.P.	Hp (Electric Brake)	=	gpm x psi 1460
DETERMINING MOTOR PULLEY SIZE	Motor Pulley O.D. Pump rpm	=	Pump Pulley O.D. Motor rpm

Refer to pump **Service Manual** for repair procedure and additional technical information.

PARTS LIST

ITEM	PART NUMBER		DESCRIPTION		QTY	
	5CP3105CSS 5CP3110CSS	MATL	5CP3160CSS 5CP3160CSSG1	MATL		
2	30057	STL	30057	STL	Key (M6x6x25)	1
5	126542	STCP R	126542	STCP R	Screw, HHC, Sems (M8x16)	8
8	46910	AL	46910	AL	Cover, Bearing	1
10	14028	NBR	14028	NBR	O-Ring, Bearing Cover - 70D	2
11	43222	NBR	43222	NBR	Seal, Oil, Crankshaft	1
15	14480	STL	14480	STL	Bearing, Ball	2
20	48742	TNM	48742	TNM	Rod, Connecting Assy	3
25	48203	FCM	—	—	Crankshaft, Single End, M10 - 5CP3105CSS	1
	49872	FCM	—	—	Crankshaft, Single End, M14 - 5CP3110CSS	1
	—	—	48368	FCM	Crankshaft, Single End, M16.5 - 5CP3160CSS, 5CP3160CSSG1	1
30	49776	AL	49776	AL	Cover, Bearing	1
31	127409	—	127409	—	Cap, Vented w/O-Ring (Rain Cap)	1
32	46798	—	46798	—	Cap, Oil Filler, Domed	1
33	14179	NBR	14179	NBR	O-Ring, Oil Filler Cap - 70D	1
37	92241	PC	92241	PC	Gauge, Oil, Bubble w/Gasket - 80D	2
38	44428	NBR	44428	NBR	Gasket, Flat, Oil Gauge - 80D	2
40	125824	STCP R	125824	STCP R	Screw, HHC, Sems (M6x16)	4
48	25625	STCP	25625	STCP	Plug, Drain (1/4"x19BSP)	1
49	23170	NBR	23170	NBR	O-Ring, Drain Plug - 70D	1
50	46940	AL	46940	AL	Cover, Rear	1
51	14044	NBR	14044	NBR	O-Ring, Rear Cover	1
53	48617	AL	48617	AL	Crankcase	1
64	46746	CM	46746	CM	Pin, Crosshead	3
65	48458	BBNP	48458	BBNP	Rod, Plunger	3
70	46838	NBR	46838	NBR	Seal, Oil, Crankcase	3
75	43900	S	43900	S	Slinger, Barrier	3
88	45697	S	45697	S	Washer, Keyhole (M18x10)	3
90	46884	CC	46884	CC	Plunger (M16x50)	3
98	46730	NBR	46730	NBR	Washer, Seal - 90D	3
	48394	FPM	48394	FPM	Washer, Seal - 90D	3
	◆ 48432	EPDM	◆ 48432	EPDM	Washer, Seal	3
99	† 48201	SS	† 48201	SS	Retainer, Plunger w/Stud (M6)	3
100	46749	PVDF	46749	PVDF	Retainer, Seal	3
106	43316	NBR	43316	NBR	Seal, LPS w/S-Spg	3
	106660	FPM	106660	FPM	Seal, LPS w/S-Spg	3
	◆ 49134	EPDM	◆ 49134	EPDM	Seal, LPS w/S-Spg	3
	76316	ST2	76316	ST2	Seal, LPS w/S-Spg	3
120	46888	BB	46888	BB	Case, Seal (Press-in-style)	3
121	13978	NBR	13978	NBR	O-Ring, Seal Case - 70D	3
	14329	FPM	14329	FPM	O-Ring, Seal Case	3
	◆ 48904	EPDM	◆ 48904	EPDM	O-Ring, Seal Case	3
127	43319	SNG	43319	SNG	V-Packing	6
	46287	HT	46287	HT	V-Packing	6
128	46618	NY	46618	NY	Adapter, Male	3
139	22179	BBCP	22179	BBCP	Plug, Inlet [1/2" NPT(M)]	1
163	17547	NBR	17547	NBR	O-Ring, Seat - 85D	6
	11685	FPM	11685	FPM	O-Ring, Seat - 85D	6
	◆ 46648	EPDM	◆ 46648	EPDM	O-Ring, Seat - 70D	6
164	45790	S	45790	S	Seat	6
166	46429	S	46429	S	Valve	6
167	43750	S	43750	S	Spring	6
168	† 44565	PVDF	† 44565	PVDF	Retainer, Spring	6
172	17549	NBR	17549	NBR	O-Ring, Valve Plug - 80D	6
	26996	FPM	26996	FPM	O-Ring, Valve Plug - 70D	6
	◆ 49133	EPDM	◆ 49133	EPDM	O-Ring, Valve Plug	6
173	48365	D	48365	D	Back-up-Ring, Valve Plug	6
174	45900	BB	45900	BB	Plug, Valve	6
185	46886	FBB	46886	FBB	Manifold, Head	1
188	126513	STCP R	126513	STCP R	Screw, HSH (M8x70)	8
196	22187	BBCP	22187	BBCP	Plug, Discharge [3/8" NPT(M)]	1
255	30243	STZP	30243	STZP	Mount, Direct	1
260	30611	STZP R	30611	STZP R	Mount, Rail, Assy	1
	30637	STZP	30637	STZP	Mount, Angle Assy-Retro Fit (See Tech Bulletin 078)	1
283	34334	—	34334	—	Kit, Oil Drain (3/8" x 24") (See Individual Data Sheet)	1

EXPLODED VIEW



Models
5CP3105CSS, 5CP3110CSS
5CP3160CSS, 5CP3160CSSG1
March 2020

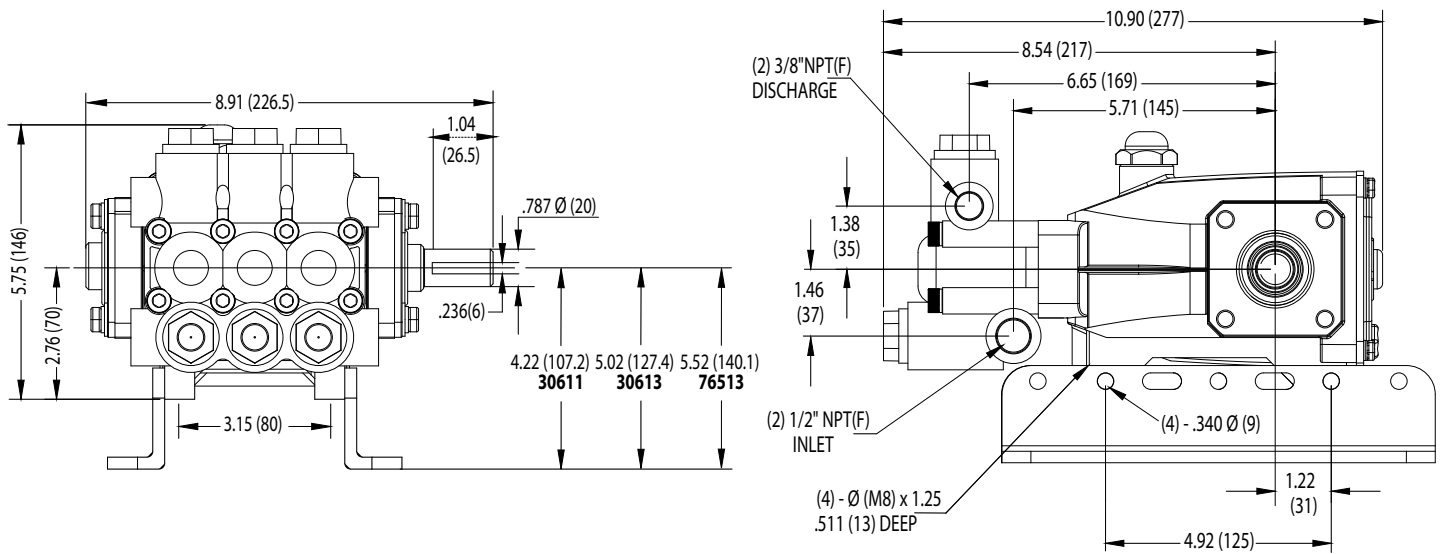
	5CP3105CSS	MATL	5CP3160CSS	MATL		
	5CP3110CSS		5CP3160CSSG1			
299	814843	FBB	814843	FBB	Head, Complete w/NBR Seals and O-Rings	1
300	33629	NBR	33629	NBR	Kit, Seal (Incls: 98,106,121,127,128) Std.	1
	31340	FPM*	31340	FPM*	Kit, Seal (Incls: 98,106,121,127,128) .0110	1
◆	31730	EPDM*	◆ 31730	EPDM*	Kit, Seal (Incls: 98,106,121,127,128) .0220	1
	31665	HT	31665	HT	Kit, Seal (Incls: 98,106,121,127,128) .3000	1
	76556	STHT	76556	STHT	Kit, Seal (Incls: 98,106,120,121,127,128) .3400	1
310	33060	NBR	33060	NBR	Kit, Valve Preassembled (Incls: 163,164,166-168,172,173) Std., .3000, .3400	2
	31345	FPM	31345	FPM	Kit, Valve Preassembled (Incls: 163,164,166-168,172,173) .0110	2
◆	31735	EPDM	◆ 31735	EPDM	Kit, Valve Preassembled (Incls: 163,164,166-168,172,173) .0220	2
400	7850	BB	7850	BB	Modular Unloader (See Individual Data Sheet)	1
500	—	—	8076	—	Gearbox 1" Shaft (See Individual Data Sheet)	1
—	6107	—	6107	—	Oil, Bottle (21 oz.) ISO 68 Hydraulic (Fill to specified crankcase capacity prior to start-up)	1

Bold print part numbers are unique to a particular pump model. *Italics are optional items.* [] Date of latest production change.

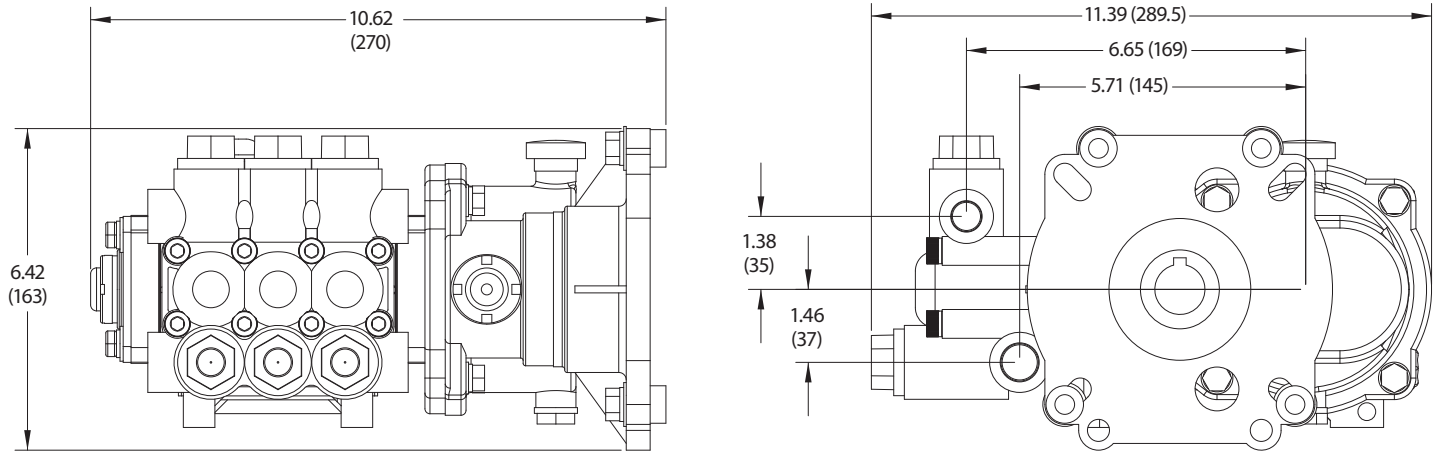
◆ Silicone oil/grease required. † Production parts are different than repair parts. R Components comply with RoHS Directive.

For additional technical information see www.catpumps.com/literature/tech-bulletins.

MATERIAL CODES (Not Part of Part Number): AL=Aluminum BB=Brass BBCP=Brass/Chrome Plated BBNP=Brass/Nickel Plated CC=Ceramic
CM=Chrome-moly D=Acetal EPDM=Ethylene Propylene Diene Monomer FBB=Forged Brass FCM=Forged Chrome-moly FPM=Fluorocarbon HT=Hi-Temp (EPDM Alternative)
NBR=Medium Nitrile (Buna-N) PC=Polycarbonate PVDF=Polyvinylidene Fluoride S=304SS SS=316SS SNG=Special Blend (Buna) SFG=Special Blend (FPM)
STG= Special Blend PTFE White ST2=Special Blend PTFE Grey STL=Steel STCP=Steel/Chrome Plated STHT=Special PTFE High Temp
STZP=Steel/Zinc Plated TNM=Special High Strength



Models 5CP3105CSS, 5CP3110CSS, 5CP3160CSS



Model 5CP3160CSSG1 (with gearbox)

⚠ CAUTIONS AND WARNINGS

All High-Pressure Systems require a primary pressure regulating device (i.e. regulator, unloader) and a secondary pressure relief device (i.e. pop-off valve, relief valve). Failure to install such relief devices could result in personal injury or damage to pump or property. Cat Pumps does not assume any liability or responsibility for the operation of a customer's high-pressure system.

Read all CAUTIONS and WARNINGS before commencing service or operation of any high-pressure system. The CAUTIONS and WARNINGS are included in each Service Manual and with each Accessory Data sheet. CAUTIONS and WARNINGS can also be viewed online at www.catpumps.com/cautions-warnings or can be requested directly from Cat Pumps.

WARRANTY

View the Limited Warranty on-line at www.catpumps.com/warranty.